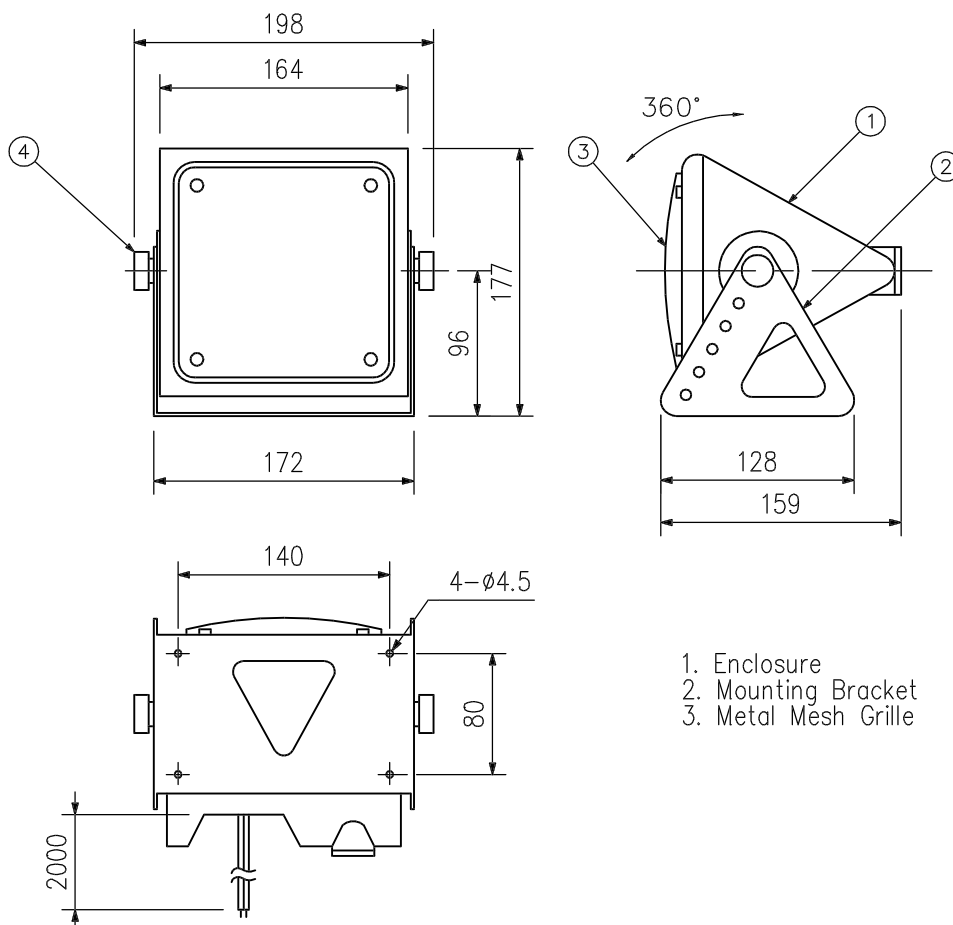


■ SPECIFICATIONS

Type	Sealed Type
Speaker Component	10cm Dynamic Cone-type Speaker Input Rated 5 W
Impedance	2kohms, (5 W), 3.3kohms (3 W), 5kohms (2 W)
Sound Pressure Level	90 dB (1 W, 1 m)
Frequency Response	120 to 18,000 Hz
Ambient Temperature	-20°C to +55°C
Dimension (WxHxD)	198 x 177 x 159 mm
Weight	1.4kg

■ APPEARANCE



- 1. Enclosure
- 2. Mounting Bracket
- 3. Metal Mesh Grille

UNIT:mm SCALE: 1/5